

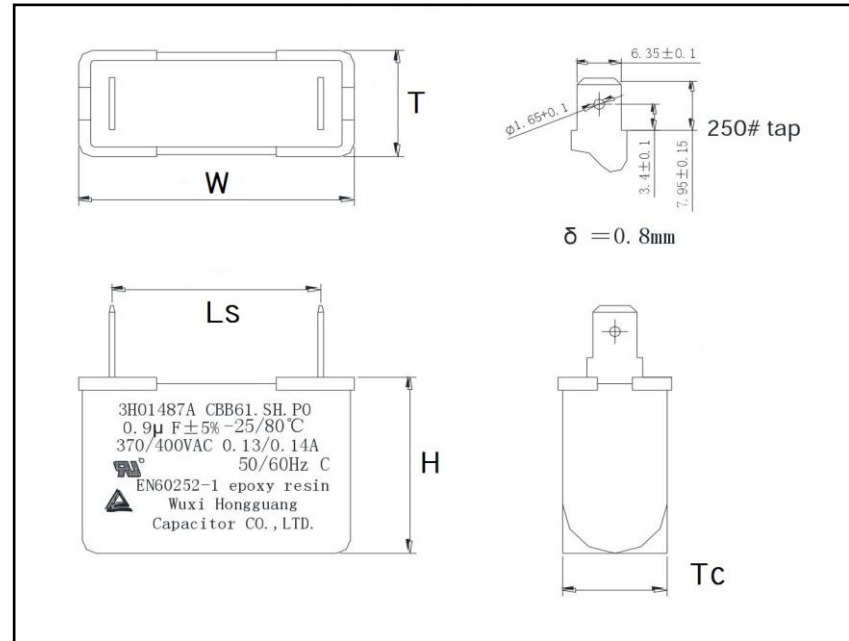
Part Number	ADP370E904JN		Revision
Customer P/N			Revision
Capacitance	0.9	uF.	Tolerance 5%
Voltage	370	VAC	
Dielectric	Metallized Polypropylene		
Terminal Type	Single .250" X .03" Quick Connect Terminals		
Operating Temperature	-25	80 °C.	
Dissipation Factor	0.001	maximum	@ 60 Hz.


MOTOR Capacitors, Inc.

Motor Capacitors, Inc.
 335 Beinoris Drive
 Wood Dale, Illinois 60191
 773-774-6666 (Phone) | 773-774-6690 (Fax)
www.capacitorindustries.com
info@capacitorindustries.com

	Dimension	Tolerance
Width (W)	1.56	0.04
Thickness (T)	0.64	0.04
Height (H)	1.06	0.06
Case Thickness (Tc)	0.59	0.04
Lead Spacing (Ls)	1.18	0.12

Dimensions in inches



Stamping
 Wuxi Hongguang Capacitor Co., LTD.
 0.9 uF ±5% 370/440 VAC
 -25 - +80 C.
 50 - 60 Hz.
 CBB61 SH P0
 3H01487A
 RU, cRU, TUV

UL Approved Capacitor



Engineer J.D. Aldana
 Date March 14, 2017

