

Part Number	ADP250M306JL		Revision
Customer P/N	EP11749-3		Revision
Capacitance	30	uF.	Tolerance 5%
Voltage	250	VAC	
Dielectric	Metallized Polypropylene		
Terminal Type	Insulated Wire Leads		
Operating Temperature	-40	85 °C.	
Dissipation Factor	0.001	maximum	@ 60 Hz.

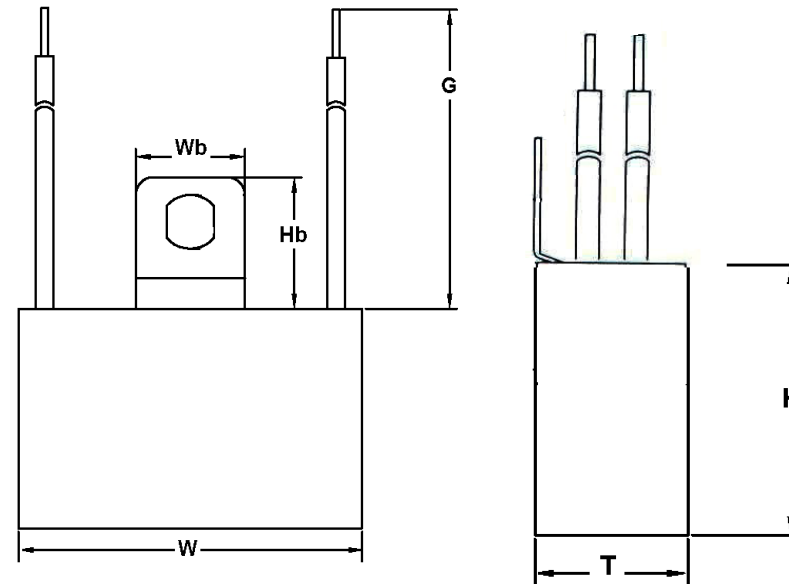
MOTOR Capacitors, Inc.

Motor Capacitors, Inc.
 335 Beinoris Drive
 Wood Dale, Illinois 60191
 773-774-6666 (Phone) | 773-774-6690 (Fax)
www.capacitorindustries.com
info@capacitorindustries.com

	Dimension	Tolerance
Width (W)	2.28	0.04
Thickness (T)	1.14	0.04
Height (H)	1.70	0.04
Total Thickness (Tt)	NO mtg ear	
Wire Length (G)	3.50	0.50
Wire Gauge (Gw)	18/20	AWG
Wire Color (Cw)	Black	
Bracket Height (Hb)	0.55	0.03
Bracket Width (Wb)	0.47	0.03

Dimensions in inches

Stamping	Logo/ADP
	30 uF 5% 250 VAC
	-40 - +85 C.
	50 - 60 Hz.
	Motor Cap CBB6-1
	EP11749-3
	RU, cRU RoHs Date Code



UL Recognized Component



Approval: J.D. Aldana
 Date: May 28, 2013