

SEI CAPACITORS

SEI Capacitors, Inc.

335 Beinoris Drive, Wood Dale, IL 60191

Phone: 773-774-6666

Fax: 773-774-6690

www.capacitorindustries.com

CD71 SERIES

Aluminum Electrolytic Capacitors

- Features:
- Long rated life of 2,000 hours at 85 °C
 - Bi-polarized standard
 - Used in polarity reverses and change circuits



SPECIFICATION

Operating Temperature Range (°C)	-40 ~ +85										
Rated Voltage Range (V)	6.3 ~ 160										
Nominal Capacitance Range (uF)	0.1 ~ 4,700										
Capacitance Tolerance (20 °C, 120 Hz)	± 20%										
Leakage Current (uA)	$I \leq 0.03CV$ or 3 whichever is greater (at 20 °C , after 5 minutes) C = Nominal capacitance (uF); V = Rated voltage (V)										
Dissipation Factor (20 °C, 120 Hz)	Rated Voltage (V)	6.3	10	16	25	35	50	63	100	160	
	D.F.	0.24	0.24	0.20	0.20	0.16	0.14	0.12	0.10	0.15	
Temperature Stability (120 Hz)	Rated Voltage (V)		6.3	10	16	25	35	50	63	100	160
	Impedance Ratio	Z-25°C / Z+20°C	4	3	2						4
		Z-40°C / Z+20°C	10	8	6	4	3			-	
Load Life (+85 °C)	Time	2,000 hours (Polarity inverts for every 250 hours)									
	Leakage Current	Not more than the initial specified value									
	Capacitance Change	Within ± 20% of the initial value									
	Dissipation Factor	Not more than 150% of the specified value									
Shelf Life (+85 °C)	Time	500 hours									
	Leakage Current	Not more than the initial specified value									
	Capacitance Change	Within ± 20% of the initial value									
	Dissipation Factor	Not more than 150% of the specified value									

SEI-CAPACITORS

SEI Capacitors, Inc.

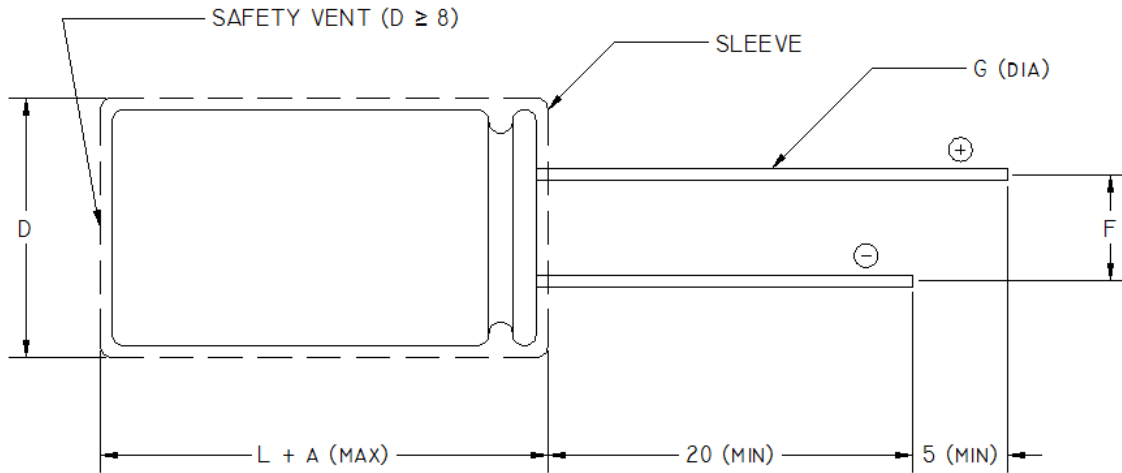
335 Beinoris Drive, Wood Dale, IL 60191

Phone: 773-774-6666

Fax: 773-774-6690

www.capacitorindustries.com

DIMENSIONS



Dimensions are in millimeters (mm)

D	± 0.5			± 1.0			
	5	6.3	8	10	12.5	16	18
F ± 0.5	2	2.5	3.5	5		7.5	
G ± 0.1	0.5		0.6		0.8		
A	0 ~ +2.0						

Lead spacing and diameter

RIPPLE CURRENT MULTIPLIER

Frequency (Hz)	Rated Voltage (V)				
	50 ~ 60	120	1K	10K	100K
6.3 ~ 16	0.80	1	1.1	1.2	1.2
25 ~ 35	0.80	1	1.5	1.7	1.7
50 ~ 160	0.80	1	1.6	1.9	1.9

Frequency Coefficient

Temperature (°C)	+70	+85
Coefficient	1.35	1

Temperature Coefficient

SEI CAPACITORS

SEI Capacitors, Inc.

335 Beinoris Drive, Wood Dale, IL 60191

Phone: 773-774-6666

Fax: 773-774-6690

www.capacitorindustries.com

STANDARD RATINGS

WV uF	6.3		10		16		25		35		50		63		100		160	
	D x L (mm)	Ripple (mA)	D x L (mm)	Ripple (mA)	D x L (mm)	Ripple (mA)	D x L (mm)	Ripple (mA)	D x L (mm)	Ripple (mA)	D x L (mm)	Ripple (mA)	D x L (mm)	Ripple (mA)	D x L (mm)	Ripple (mA)	D x L (mm)	Ripple (mA)
0.1	-	-	-	-	-	-	-	-	-	-	5x11	4	-	-	5x11	5	-	-
0.22	-	-	-	-	-	-	-	-	-	-	5x11	7	-	-	5x11	8	-	-
0.33	-	-	-	-	-	-	-	-	-	-	5x11	8	-	-	5x11	9	-	-
0.47	-	-	-	-	-	-	-	-	-	-	5x11	10	-	-	5x11	11	-	-
1	-	-	-	-	-	-	-	-	-	-	5x11	14	-	-	5x11	16	-	-
2.2	-	-	-	-	-	-	-	-	-	-	5x11	21	5x11	23	5x11	24	-	-
3.3	-	-	-	-	-	-	-	-	-	-	5x11	26	5x11	28	6.3x11	34	10x16	49
4.7	-	-	-	-	-	-	5x11	28	5x11	28	5x11	31	5x11	34	6.3x11	41	10x16	59
10	-	-	-	-	5x11	39	5x11	40	5x11	42	5x11	45	6.3x11	57	8x11.5	70	12.5x20	109
22	-	-	5x11	52	5x11	58	5x11	60	6.3x11	71	6.3x11	77	8x11.5	89	10x12.5	136	12.5x25	177
33	5x11	58	5x11	63	5x11	71	6.3x11	84	6.3x11	87	8x11.5	111	10x12.5	144	10x16	181	16x25	240
47	5x11	69	5x11	75	6.3x11	97	6.3x11	100	8x11.5	122	10x12.5	157	10x16	188	12.5x20	248	16x35.5	329
100	6.3x11	115	6.3x11	126	8x11.5	167	10x12.5	204	10x12.5	212	10x20	273	12.5x20	343	16x25	458	18x35.5	425
220	8x11.5	202	8x11.5	221	10x12.5	294	10x16	332	10x20	375	12.5x25	506	16x25	645	18x35.5	837	-	-
330	8x11.5	247	10x12.5	322	10x16	394	10x20	444	12.5x20	526	12.5x25	620	-	-	-	-	-	-
470	10x12.5	350	10x16	420	10x20	513	12.5x20	607	12.5x25	685	16x25	861	-	-	-	-	-	-
1,000	10x20	611	12.5x20	767	12.5x25	935	16x25	1,120	16x31.5	1,270	-	-	-	-	-	-	-	-
2,200	12.5x25	1,090	16x25	1,380	16x31.5	1,660	-	-	-	-	-	-	-	-	-	-	-	-
3,300	16x25	1,490	16x31.5	1,760	-	-	-	-	-	-	-	-	-	-	-	-	-	-
4,700	16x31.5	1,880	18x35.5	2,280	-	-	-	-	-	-	-	-	-	-	-	-	-	-

Ripple Current: 85 °C, 100 Hz or 120 Hz.

Specific capacitance and case sizes are available upon request.