

SEI CAPACITORS

SEI Capacitors, Inc.

335 Beinoris Drive, Wood Dale, IL 60191

Phone: 773-774-6666

Fax: 773-774-6690

www.capacitorindustries.com

CD297 SERIES

Aluminum Electrolytic Capacitors

- Features:
- Long rated life of 5,000 hours at 85 °C
 - High ripple current



SPECIFICATION

Operating Temperature Range (°C)	-40 ~ +85		-25 ~ +85 (450 WV)						
Rated Voltage Range (V)	10 ~ 450								
Nominal Capacitance Range (uF)	68 ~ 22,000								
Capacitance Tolerance (20 °C, 120 Hz)	± 20%								
Leakage Current (uA)	I ≤ 0.01CV or 1.5 mA whichever is smaller (20 °C, 5 minutes) C = Nominal capacitance (uF); V = Rated voltage (V)								
Dissipation Factor (20 °C, 120 Hz)	Rated Voltage (V)	10	16	25	35	50	63 ~ 100	160 ~ 250	315 ~ 450
	D.F. (max)	0.80	0.60	0.50	0.40	0.30	0.20	0.15	0.15
Temperature Stability (120 Hz)	Rated Voltage (V)		10	16 ~ 35	50 ~ 100	160 ~ 200	250 ~ 400	450	
	Impedance Ratio	Z-25°C/+20°C	5	4	3	3	4	4	
Z-40°C/+20°C		18	15	10	6	8	-		
Load Life (+85 °C)	Time	5,000 hours							
	Leakage Current	Not more than the initial specified value							
	Capacitance Change	Within ± 20% of the initial value							
	Dissipation Factor	Not more than 200% of the specified value							
Shelf Life (+85 °C)	Time	500 hours							
	Leakage Current	Not more than the initial specified value							
	Capacitance Change	Within ± 20% of the initial value							
	Dissipation Factor	Not more than 200% of the specified value							

SEI-CAPACITORS

SEI Capacitors, Inc.

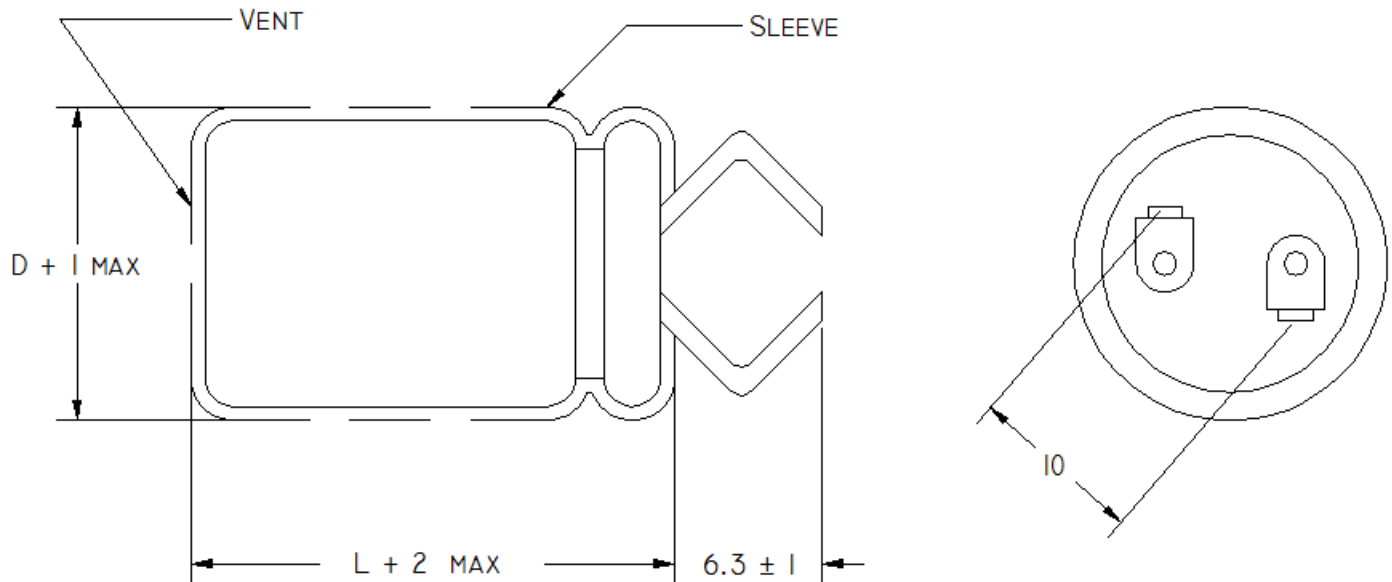
335 Beinoris Drive, Wood Dale, IL 60191

Phone: 773-774-6666

Fax: 773-774-6690

www.capacitorindustries.com

DIMENSIONS



Dimensions are in millimeters (mm)

RIPPLE CURRENT MULTIPLIER

Frequency Rated Voltage (V)	50	120	1K	10K	20K
≤ 50	0.95	1.00	1.10	1.15	1.15
63 ~ 100	0.95	1.00	1.16	1.30	1.33
≥ 160	0.90	1.00	0.20	1.50	1.55

Frequency Coefficient

Temperature (°C)		+40	+55	+70	+85
Rated voltage (V)	< 160	2.1	1.8	1.5	1.0
	≥ 160	1.7	1.5	1.3	1.0

Temperature Coefficient

SEI CAPACITORS

SEI Capacitors, Inc.

335 Beinoris Drive, Wood Dale, IL 60191

Phone: 773-774-6666

Fax: 773-774-6690

www.capacitorindustries.com

STANDARD RATINGS

WV (V) DxL (mm)	10		16		25		35		50		63		80		100	
	Cap (uF)	Ripple (A)	Cap (uF)	Ripple (A)	Cap (uF)	Ripple (A)	Cap (uF)	Ripple (A)	Cap (uF)	Ripple (A)	Cap (uF)	Ripple (A)	Cap (uF)	Ripple (A)	Cap (uF)	Ripple (A)
22x25	10,000	2.5	8,200	2.2	5,600	2.0	3,300	1.8	2,200	1.7	1,500	1.6	1,000	1.3	680	1.1
22x30	15,000	3.2	10,000	2.6	6,800	2.3	3,900	2.1	2,700	1.9	2,200	2.0	1,200	1.5	820	1.2
22x35	18,000	3.6	12,000	2.9	8,200	2.6	5,600	2.3	3,900	2.1	2,700	2.2	1,800	1.9	1,200	1.6
22x40	22,000	4.0	15,000	3.3	10,000	2.9	6,800	2.9	4,700	2.4	3,300	2.3	2,200	2.1	1,500	1.8
22x45			18,000	3.8	12,000	3.3					3,900	2.5				
22x50			22,000	4.2			8,200	2.8	5,600	2.5			2,700	2.5	1,800	2.1
25x25	15,000	3.1	10,000	2.6	6,800	2.3	4,700	2.2	2,700	1.9	2,200	2.0	1,500	1.7	1,000	1.4
25x30	18,000	3.6	15,000	3.3	10,000	2.8	5,600	2.3	3,900	2.1	2,700	2.3	1,800	1.9	1,200	1.6
25x35	22,000	4.1	18,000	3.7	12,000	3.2	6,800	2.6	4,700	2.4	3,300	2.3	2,200	2.2	1,500	1.7
25x40			22,000	4.2	15,000	3.7	8,200	2.8	5,600	2.5	3,900	2.6	2,700	2.5	1,800	2.0
25x45							1,000	3.1	6,800	2.8	5,600	3.1	3,300	2.8	2,200	2.2
25x50					18,000	4.3	12,000	3.5	8,200	3.2			3,900	3.1	2,700	2.6
30x25	22,000	4.1	15,000	3.4	10,000	3.0	6,800	2.7	3,900	2.4	3,300	2.3	2,200	2.2	1,500	1.8
30x30			22,000	4.2	12,000	3.4	8,200	2.8	5,600	2.5	3,900	2.6	2,700	2.5	1,800	2.1
30x35					18,000	4.2	10,000	3.2	6,800	2.8	5,600	3.2	3,300	2.8	2,200	2.3
30x40					22,000	4.8	12,000	3.5	8,200	3.0	6,800	3.6	3,900	3.2	2,700	2.7
30x45							15,000	4.1	10,000	3.4			4,700	3.6	3,300	3.0
30x50							18,000	4.6	12,000	3.8	8,200	3.7	5,600	3.5	3,900	3.4
35x25			22,000	4.4	15,000	3.9	8,200	2.9	5,600	2.6	3,900	2.7	2,700	2.5	1,800	2.2
35x30					18,000	4.4	12,000	3.6	8,200	3.0	5,600	3.3	3,900	3.2	2,200	2.5
35x35					22,000	5.0	15,000	4.1	10,000	3.4	6,800	3.7	4,700	3.6	3,300	3.1
35x40							18,000	4.7	12,000	3.8	8,200	3.8	5,600	3.5	3,900	3.4
35x45							22,000	5.3			10,000	4.3				
35x50									15,000	4.5	12,000	4.8	6,800	4.1	4,700	4.0

Ripple Current: 85 °C, 100 Hz or 120 Hz; Specific capacitance and case sizes are available upon request.

SEI CAPACITORS

SEI Capacitors, Inc.

335 Beinoris Drive, Wood Dale, IL 60191

Phone: 773-774-6666

Fax: 773-774-6690

www.capacitorindustries.com

STANDARD RATINGS

WV (V) DxL (mm)	160		180		200		250		315		350		400		450	
	Cap (uF)	Ripple (A)	Cap (uF)	Ripple (A)	Cap (uF)	Ripple (A)	Cap (uF)	Ripple (A)	Cap (uF)	Ripple (A)	Cap (uF)	Ripple (A)	Cap (uF)	Ripple (A)	Cap (uF)	Ripple (A)
22x25	330	1.3	270	1.2	220	1.1	180	0.94	100	0.67	82	0.64	68	0.55		
22x30	390	1.5	330	1.4	330	1.4	220	1.1	150	0.85	120	0.82	100	0.70	68	0.57
22x35	560	1.9	470	1.7	390	1.6	270	1.2	180	0.96	150	0.94	120	0.79	100	0.72
22x40	680	2.1	560	1.9	470	1.8	330	1.4	220	1.1	180	1.1	150	0.90	120	0.80
22x45					560	2.0	390	1.6	270	1.2	220	1.2	180	1.0		
22x50	820	2.5	680	2.3			470	1.8					220	1.1	150	0.95
25x25	390	1.5	390	1.5	330	1.4	220	1.1	150	0.85	120	0.81	100	0.70		
25x30	560	1.9	470	1.7	390	1.6	330	1.4	180	0.96	150	0.94	150	0.89	100	0.73
25x35	680	2.2	560	2.0	560	2.0	390	1.6	220	1.1	220	1.2	180	1.0	120	0.83
25x40	820	2.4	680	2.2	680	2.3	470	1.8	270	1.3			220	1.2	150	0.95
25x45	1,000	2.7	820	2.5			560	2.0	330	1.4	270	1.4	270	1.3	180	1.1
25x50	1,200	3.1	1,000	2.9	820	2.6			390	1.6	330	1.6			220	1.2
30x25	560	2.0	470	1.8	470	1.9	330	1.5	220	1.1	180	1.1	150	0.95		
30x30	680	2.5	680	2.3	560	2.1	470	1.8	270	1.6	220	1.2	180	1.1	150	0.98
30x35	1,000	2.8	820	2.6	680	2.4	560	2.0	330	1.4	270	1.4	220	1.2	180	1.1
30x40	1,200	3.2	1,000	2.9	820	2.7	680	2.3	390	1.6	390	1.7	270	1.4	220	1.3
30x45	1,500	3.7	1,200	3.3	1,000	3.1	820	2.6	170	1.8	470	2.0	330	1.6	270	1.4
30x50					1,200	3.4			560	2.0			390	1.8		
35x25	820	2.4	680	2.2	560	2.0	470	1.9	270	1.3	220	1.3	180	1.2	180	1.2
35x30	1,000	2.7	820	2.5	820	2.5	680	2.4	390	1.6	330	1.6	270	1.6	220	1.3
35x35	1,200	3.0	1,200	3.1	1,000	2.8	820	2.6	470	1.8	390	1.8	330	1.7	270	1.5
35x40	1,500	3.5			1,200	3.2	1,000	3.0	560	2.0	470	2.0	390	1.8		
35x45	1,800	3.9	1,500	3.6			1,200	3.4	680	2.3	560	2.3	470	2.1	390	1.9
35x50	2,200	4.5	1,800	4.1	1,500	3.8					680	2.6	560	2.3	470	2.2

Ripple Current: 85 °C, 100 Hz or 120 Hz; Specific capacitance and case sizes are available upon request.