

SEI CAPACITORS

SEI Capacitors, Inc.

335 Beinoris Drive, Wood Dale, IL 60191

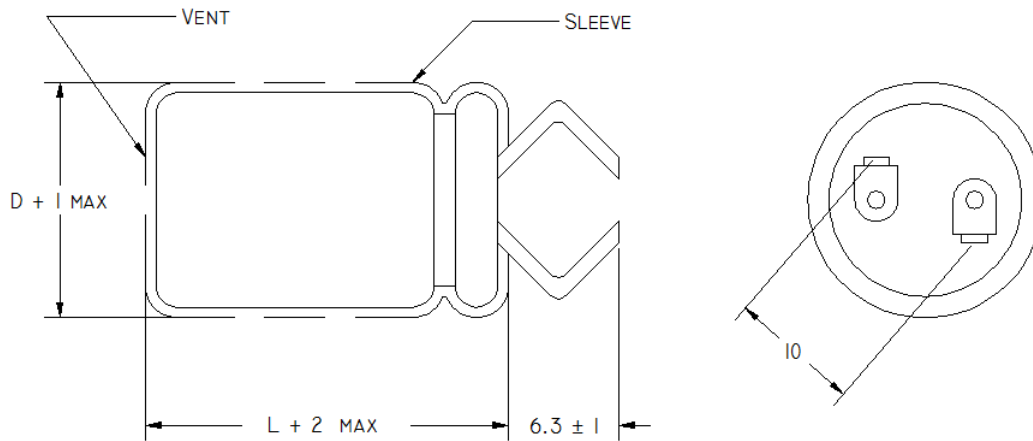
Phone: 773-774-6666

Fax: 773-774-6690

www.capacitorindustries.com

Load Life (+85 °C)	Time	2,000 hours
	Leakage Current	Not more than the initial specified value
	Capacitance Change	Within $\pm 20\%$ of the initial value
	Dissipation Factor	Not more than 200% of the specified value
Shelf Life (+85 °C)	Time	500 hours
	Leakage Current	Not more than the initial specified value
	Capacitance Change	Within $\pm 15\%$ of the initial value
	Dissipation Factor	Not more than 200% of the specified value

DIMENSIONS



Dimensions are in millimeters (mm)

RIPPLE CURRENT MULTIPLIER

Frequency (Hz) \ Rated Voltage (V)	50	120	1K	10K	20K
≤ 50	0.95	1	1.10	1.15	1.15
63 ~ 100	0.95	1	1.16	1.30	1.33
≥ 160	0.95	1	1.20	1.50	1.55

Frequency Coefficient

Temperature (°C) \ Rated Voltage (V)	+40	+55	+70	+85
< 160	2.1	1.8	1.5	1
≥ 160	1.7	1.5	1.3	1

Temperature Coefficient

SEI CAPACITORS

SEI Capacitors, Inc.

335 Beinoris Drive, Wood Dale, IL 60191

Phone: 773-774-6666

Fax: 773-774-6690

www.capacitorindustries.com

STANDARD RATINGS

WV (V) D x L (mm)	10		16		25		35		50		63		80		100	
	Cap (uF)	Ripple (A)	Cap (uF)	Ripple (A)	Cap (uF)	Ripple (A)	Cap (uF)	Ripple (A)	Cap (uF)	Ripple (A)	Cap (uF)	Ripple (A)	Cap (uF)	Ripple (A)	Cap (uF)	Ripple (A)
22x25	10,000	2.5	8,200	2.2	5,600	2.0	3,300	1.8	2,200	1.7	1,500	1.6	1,000	1.3	680	1.1
22x30	15,000	3.2	10,000	2.6	6,800	2.3	3,900	2.1	2,700	1.9	2,200	2.0	1,200	1.5	820	1.2
22x35	18,000	3.6	12,000	2.9	8,200	2.6	5,600	2.3	3,900	2.1	2,700	2.2	1,800	1.9	1,200	1.6
22x40	22,000	4.0	15,000	3.3	10,000	2.9	6,800	2.9	4,700	2.4	3,300	2.3	2,200	2.1	1,500	1.8
22x45	-	-	18,000	3.8	12,000	3.3	-	-	-	-	3,900	2.5	-	-	-	-
22x50	-	-	22,000	4.2	-	-	8,200	2.8	5,600	2.5	-	-	2,700	2.5	1,800	2.1
25x25	15,000	3.1	10,000	2.6	6,800	2.3	4,700	2.2	2,700	1.9	2,200	2.0	1,500	1.7	1,000	1.4
25x30	18,000	3.6	15,000	3.3	10,000	2.8	5,600	2.3	3,900	2.1	2,700	2.3	1,800	1.9	1,200	1.6
25x35	22,000	4.1	18,000	3.7	12,000	3.2	6,800	2.6	4,700	2.4	3,300	2.3	2,200	2.2	1,500	1.7
25x40	33,000	4.6	22,000	4.2	15,000	3.7	8,200	2.8	5,600	2.5	3,900	2.6	2,700	2.5	1,800	2.0
25x45	39,000	5.2	27,000	5.0	-	-	10,000	3.1	6,800	2.8	5,600	3.1	3,300	2.8	2,200	2.2
25x50	47,000	5.8	-	-	18,000	4.3	12,000	3.5	8,200	3.2	-	-	3,900	3.1	2,700	2.6
30x25	22,000	4.1	15,000	3.4	10,000	3.0	6,800	2.7	3,900	2.4	3,300	2.3	2,200	2.2	1,500	1.8
30x30	33,000	4.8	22,000	4.2	12,000	3.4	8,200	2.8	5,600	2.5	3,900	2.6	2,700	2.5	1,800	2.1
30x35	39,000	5.3	27,000	5.0	18,000	4.2	10,000	3.2	6,800	2.8	5,600	3.2	3,300	2.8	2,200	2.3
30x40	47,000	6.0	33,000	5.6	22,000	4.8	12,000	3.5	8,200	3.0	6,800	3.6	3,900	3.2	2,700	2.7
30x45	56,000	6.7	39,000	6.2	-	-	15,000	4.1	10,000	3.4	-	-	4,700	3.6	3,300	3.0
30x50	68,000	7.5	47,000	7.0	-	-	18,000	4.6	12,000	3.8	8,200	3.7	5,600	3.5	3,900	3.4
35x25	33,000	4.8	22,000	4.4	15,000	3.9	8,200	2.9	5,600	2.6	3,900	2.7	2,700	2.5	1,800	2.2
35x30	47,000	6.0	33,000	5.6	18,000	4.4	12,000	3.6	8,200	3.0	5,600	3.3	3,900	3.2	2,200	2.5
35x35	56,000	6.8	39,000	6.3	22,000	5.0	15,000	4.1	10,000	3.4	6,800	3.7	4,700	3.6	3,300	3.1
35x40	68,000	7.7	47,000	7.2	33,000	6.5	18,000	4.7	12,000	3.8	8,200	3.8	5,600	3.5	3,900	3.4
35x45	82,000	8.7	56,000	8.0	39,000	7.5	22,000	5.3	-	-	10,000	4.3	-	-	-	-
35x50	-	-	-	-	-	-	27,000	7.0	15,000	4.5	12,000	4.8	6,800	4.1	4,700	4.0

WV (V) D x L (mm)	160		180		200		250		315		350		400		450	
	Cap (uF)	Ripple (A)	Cap (uF)	Ripple (A)	Cap (uF)	Ripple (A)	Cap (uF)	Ripple (A)	Cap (uF)	Ripple (A)	Cap (uF)	Ripple (A)	Cap (uF)	Ripple (A)	Cap (uF)	Ripple (A)
22x25	330	1.3	270	1.2	220	1.1	180	0.94	100	0.67	82	0.64	68	0.55	-	-
22x30	390	1.5	330	1.4	330	1.4	220	1.1	150	0.85	120	0.82	100	0.70	68	0.57
22x35	560	1.9	470	1.7	390	1.6	270	1.2	180	0.96	150	0.94	120	0.79	100	0.72
22x40	680	2.1	560	1.9	470	1.8	330	1.4	220	1.1	180	1.1	150	0.90	120	0.80
22x45	-	-	-	-	560	2.0	390	1.6	270	1.2	220	1.2	180	1.0	-	-
22x50	820	2.5	680	2.3	-	-	470	1.8	-	-	-	-	220	1.1	150	0.95
25x25	390	1.5	390	1.5	330	1.4	220	1.1	150	0.85	120	0.81	100	0.70	-	-
25x30	560	1.9	470	1.7	390	1.6	300	1.4	180	0.96	150	0.94	150	0.89	100	0.73
25x35	680	2.2	560	2.0	560	2.0	390	1.6	220	1.1	220	1.2	180	1.0	120	0.83
25x40	820	2.4	680	2.2	680	2.3	470	1.8	270	1.3	-	-	220	1.2	150	0.95
25x45	1,000	2.7	820	2.5	-	-	560	2.0	330	1.4	270	1.4	270	1.3	180	1.1
25x50	1,200	3.1	1,000	2.9	820	2.6	-	-	390	1.6	330	1.6	-	-	220	1.2
30x25	560	2.0	470	1.8	470	1.9	330	1.5	220	1.1	180	1.1	150	0.95	-	-
30x30	820	2.5	680	2.3	560	2.1	470	1.8	270	1.3	220	1.2	180	1.1	150	0.98
30x35	1,000	2.8	820	2.6	680	2.4	560	2.0	330	1.4	270	1.4	220	1.2	180	1.1
30x40	1,200	3.2	1,000	2.9	820	2.7	680	2.3	390	1.6	390	1.7	270	1.4	220	1.3
30x45	1,500	3.7	1,200	3.3	1,000	3.1	820	2.6	470	1.8	470	2.0	330	1.6	270	1.4
30x50	-	-	-	-	1,200	3.4	-	-	560	2.0	-	-	390	1.8	-	-
35x25	820	2.4	680	2.2	560	2.0	470	1.9	270	1.3	220	1.3	180	1.2	180	1.2
35x30	1,000	2.7	820	2.5	820	2.5	680	2.4	390	1.6	330	1.6	270	1.5	220	1.3
35x35	1,200	3.0	1,200	3.1	1,000	2.8	820	2.6	470	1.8	390	1.8	330	1.7	270	1.5
35x40	1,500	3.5	-	-	1,200	3.2	1,000	3.0	560	2.0	470	2.0	390	1.8	-	-
35x45	1,800	3.9	1,500	3.6	-	-	1,200	3.4	680	2.3	560	2.3	470	2.1	390	1.9
35x50	2,200	4.5	1,800	4.1	1,500	3.8	-	-	-	-	680	2.6	560	2.3	470	2.2

Ripple Current: 85 °C, 100 Hz or 120 Hz.

Specific capacitance and case sizes are available upon request.