

SEI CAPACITORS

SEI Capacitors, Inc.

335 Beinoris Drive, Wood Dale, IL 60191

Phone: 773-774-6666

Fax: 773-774-6690

www.capacitorindustries.com

CD268 SERIES

Aluminum Electrolytic Capacitors

- Features:
- Long rated life of 2,000 hours at 105 °C
 - Wide temperature



SPECIFICATION

Operating Temperature Range (°C)	-40 ~ +105	-25 ~ +105															
Rated Voltage Range (V)	6.3 ~ 100	160 ~ 450															
Nominal Capacitance Range (uF)	0.1 ~ 10,000	0.47 ~ 220															
Capacitance Tolerance (20 °C, 120 Hz)	± 20%																
Leakage Current (uA)	0.01CV or 3 (whichever is greater)	0.02CV+15															
	C = Nominal capacitance (uF); V = Rated voltage (V)																
Dissipation Factor (20 °C, 120 Hz)	<table border="1"> <tr> <td>Rated Voltage (V)</td> <td>6.3</td> <td>10</td> <td>16</td> <td>25</td> <td>35</td> </tr> <tr> <td>D.F.</td> <td>0.25</td> <td>0.20</td> <td>0.17</td> <td>0.15</td> <td>0.12</td> </tr> </table>					Rated Voltage (V)	6.3	10	16	25	35	D.F.	0.25	0.20	0.17	0.15	0.12
	Rated Voltage (V)	6.3	10	16	25	35											
D.F.	0.25	0.20	0.17	0.15	0.12												
<table border="1"> <tr> <td>Rated Voltage (V)</td> <td>50</td> <td>63</td> <td>100</td> <td>160 ~ 400</td> <td>450</td> </tr> <tr> <td>D.F.</td> <td>0.10</td> <td>0.10</td> <td>0.08</td> <td>0.20</td> <td>0.25</td> </tr> </table> <p>When nominal capacitance is over 1,000 uF: 0.02 shall be added to the listed D.F. value with increase of every 1,000 uF.</p>						Rated Voltage (V)	50	63	100	160 ~ 400	450	D.F.	0.10	0.10	0.08	0.20	0.25
Rated Voltage (V)	50	63	100	160 ~ 400	450												
D.F.	0.10	0.10	0.08	0.20	0.25												
Load Life (+105 °C)	Time		2,000 hours														
	Leakage Current		Not more than the initial specified value														
	Capacitance Change		Within ± 20% of the initial value														
	Dissipation Factor		Not more than 200% of the specified value														
Shelf Life (+105 °C)	Time		1,000 hours														
	Leakage Current		Not more than the initial specified value														
	Capacitance Change		Within ± 20% of the initial value														
	Dissipation Factor		Not more than 200% of the specified value														

SEI CAPACITORS

SEI Capacitors, Inc.

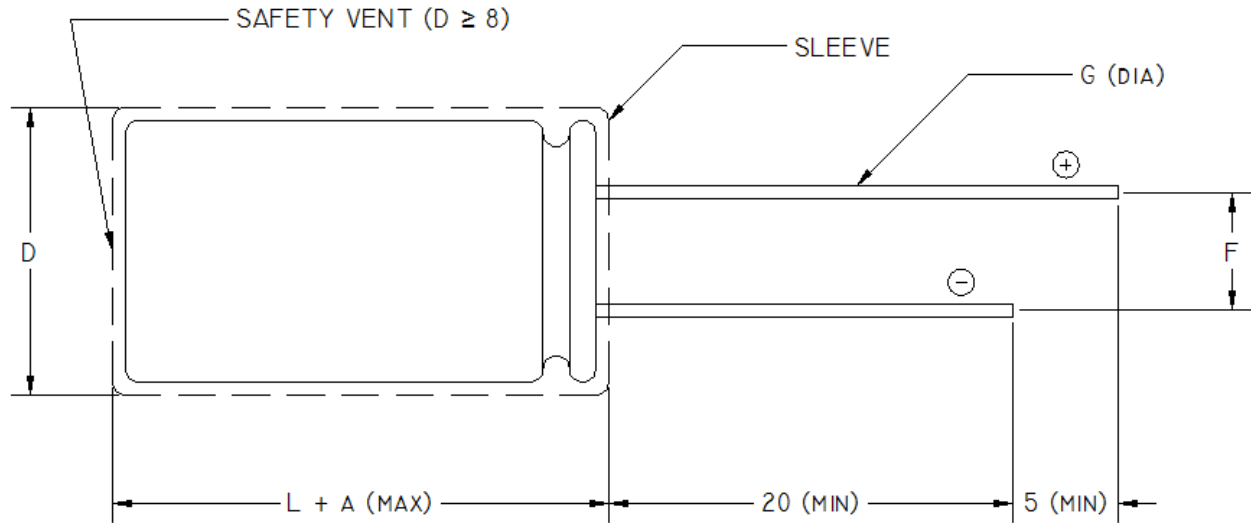
335 Beinoris Drive, Wood Dale, IL 60191

Phone: 773-774-6666

Fax: 773-774-6690

www.capacitorindustries.com

DIMENSIONS



Dimensions are in millimeters (mm)

D	± 0.5			± 1.0				22
	5	6.3	8	10	12.5	16	18	
F ± 0.5	2	2.5	3.5	5		7.5		10
G ± 0.1	0.5		0.6			0.8		
A	0 ~ +2.0							

Lead spacing and diameter

RIPPLE CURRENT MULTIPLIER

Rated Voltage (V)	+70	+85	+105
6.3 ~ 100	2.0	1.7	1
160 ~ 450	1.8	1.4	1

Temperature Coefficient

SEI CAPACITORS

SEI Capacitors, Inc.

335 Beinoris Drive, Wood Dale, IL 60191

Phone: 773-774-6666

Fax: 773-774-6690

www.capacitorindustries.com

STANDARD RATINGS

WV uF	6.3		10		16		25		35		50		63		100	
	DxL (mm)	Ripple (mA)	DxL (mm)	Ripple (mA)	DxL (mm)	Ripple (mA)	DxL (mm)	Ripple (mA)	DxL (mm)	Ripple (mA)	DxL (mm)	Ripple (mA)	DxL (mm)	Ripple (mA)	DxL (mm)	Ripple (mA)
0.1	-	-	-	-	-	-	-	-	-	-	5x11	3	-	-	5x11	3
0.22	-	-	-	-	-	-	-	-	-	-	5x11	4	-	-	5x11	4
0.33	-	-	-	-	-	-	-	-	-	-	5x11	5	-	-	5x11	5
0.47	-	-	-	-	-	-	-	-	-	-	5x11	6	-	-	5x11	6
1	-	-	-	-	-	-	-	-	-	-	5x11	9	-	-	5x11	9
2.2	-	-	-	-	-	-	-	-	-	-	5x11	11	-	-	5x11	15
3.3	-	-	-	-	-	-	-	-	-	-	5x11	15	-	-	5x11	18
4.7	-	-	-	-	-	-	-	-	-	-	5x11	18	5x11	20	5x11	20
10	-	-	-	-	5x11	20	5x11	25	5x11	25	5x11	25	5x11	30	6.3x11	35
22	-	-	-	-	5x11	30	5x11	35	5x11	35	5x11	40	6.3x11	50	8x11.5	65
33	-	-	-	-	5x11	40	5x11	40	5x11	50	6.3x11	60	6.3x11	60	10x12.5	95
47	-	-	5x11	45	5x11	50	5x11	50	6.3x11	65	6.3x11	70	8x11.5	90	10x16	120
100	5x11	60	5x11	80	6.3x11	80	6.3x11	90	8x11.5	110	8x11.5	120	10x12.5	150	12.5x20	220
220	6.3x11	100	6.3x11	110	8x11.5	140	8x11.5	150	10x12.5	190	10x16	240	10x20	270	16x25	420
330	6.3x11	120	8x11.5	160	8x11.5	180	10x12.5	220	10x16	260	10x20	320	12.5x20	380	16x25	510
470	8x11.5	170	8x11.5	190	10x12.5	250	10x16	290	10x20	350	12.5x20	430	12.5x25	500	16x31.5	680
1,000	10x12.5	300	10x16	360	10x20	440	12.5x20	540	12.5x25	620	16x25	790	16x31.5	900	18x40	1,230
2,200	12.5x20	580	12.5x20	620	12.5x25	700	16x25	880	16x31.5	1,030	18x35.5	1,230	18x40	1,310	-	-
3,300	12.5x20	670	12.5x25	800	16x25	970	16x31.5	1,120	18x35.5	1,320	18x40	1,400	22x40	1,730	-	-
4,700	16x25	1,000	16x25	1,050	16x31.5	1,240	18x35.5	1,440	18x40	1,540	22x40	1,780	-	-	-	-
6,800	16x25	1,120	16x31.5	1,300	18x35.5	1,530	18x40	1,630	22x40	1,880	-	-	-	-	-	-
10,000	18x31.5	1,320	18x35.5	1,620	18x40	1,730	22x40	2,000	-	-	-	-	-	-	-	-

Ripple Current: 125 °C, 100 Hz or 120 Hz.

Specific capacitance and case sizes are available upon request.

SEI CAPACITORS

SEI Capacitors, Inc.

335 Beinoris Drive, Wood Dale, IL 60191

Phone: 773-774-6666

Fax: 773-774-6690

www.capacitorindustries.com

STANDARD RATINGS

WV uF	160		200		250		350		400		450	
	DxL (mm)	Ripple (A)	DxL (mm)	Ripple (A)	DxL (mm)	Ripple (A)	DxL (mm)	Ripple (A)	DxL (mm)	Ripple (A)	DxL (mm)	Ripple (A)
0.47	5X11	8	6.3x11	6	6.3x11	6	-	-	-	-	-	-
1	5X11	12	6.3x11	9	6.3x11	9	8x11.5	12	10x16	15	10x20	18
2.2	6.3X11	15	6.3x11	15	8x11.5	15	10x12.5	18	10x16	20	10x20	29
3.3	8X11.5	20	8x11.5	20	10x12.5	20	10x16	23	10x16	25	10x20	41
4.7	8X11.5	25	10x12.5	30	10x12.5	30	10x16	35	12.5X20	40	12.5X20	49
10	10X12.5	40	10x16	45	10x20	45	10x20	50	12.5x20	70	12.5x25	75
22	10X20	70	10x20	70	12.5x25	80	12.5x25	80	16x31.5	100	16x35.5	115
33	12.5X20	110	12.5x25	110	12.5x25	100	16x31.5	140	18X35.5	180	18X40	145
47	12.5X25	140	12.5x25	140	16x25	140	18x35.5	360	-	-	-	-
100	16X25	240	16x31.5	250	18x35.5	260	-	-	-	-	-	-
220	18X35.5	430	-	-	-	-	-	-	-	-	-	-

Ripple Current: 125 °C, 100 Hz or 120 Hz.

Specific capacitance and case sizes are available upon request.