

SEI CAPACITORS

SEI Capacitors, Inc.

335 Beinoris Drive, Wood Dale, IL 60191

Phone: 773-774-6666

Fax: 773-774-6690

www.capacitorindustries.com

CD17FX SERIES

Aluminum Electrolytic Capacitors

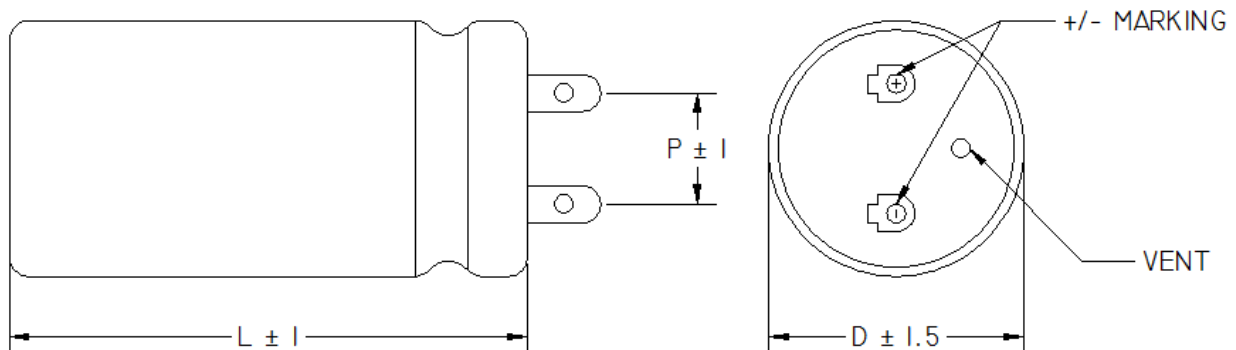
- Features:
- High stability
 - Lug type
 - Low leakage current reduces battery consumption
 - Used for photo flash



SPECIFICATION

Operating Temperature Range (°C)	-20 ~ +55	
Rated Voltage	330 WVDC	360 WVDC
Voltage Proof	350 SVDC	390 SVDC
Nominal Capacitance Range (uF)	150 ~ 1,500	
Capacitance Tolerance (20 °C, 120 Hz)	-10% ~ +20%	
Dissipation Factor (20 °C, 120 Hz)	150 ~ 600 uF ≤ 0.1 1,500 uF ≤ 0.15	
Leakage Current	I = 1XC (at 20 °C, 5 minutes) max I = Leakage Current (uA); C = Nominal Capacitance (uF)	

DIMENSIONS



Dimensions are in millimeters (mm)

SEI CAPACITORS

SEI Capacitors, Inc.

335 Beinoris Drive, Wood Dale, IL 60191

Phone: 773-774-6666

Fax: 773-774-6690

www.capacitorindustries.com

STANDARD RATINGS

330 WVDC (350 SVDC)

Capacitance (uF)	D (mm) P (mm)	22 8	25 10	30 10	35 10
150	L (mm)	-	-	-	-
180		-	-	-	-
200		-	-	-	-
250		26	-	-	-
300		28	-	-	-
350		31	-	-	-
400		35	30	-	-
450		38	32	-	-
500		42	34	-	-
600		48	40	31	-
700		56	44	34	-
800		-	50	38	-
900		-	54	42	-
1,000		-	58	44	36
1,200		-	-	54	43
1,300		-	-	58	45
1,500	-	-	64	51	

360 WVDC (390 SVDC)

Capacitance (uF)	D (mm) P (mm)	22 8	25 10	30 10	35 10
150	L (mm)	-	-	-	-
180		-	-	-	-
200		26	-	-	-
250		30	-	-	-
300		35	30	-	-
350		40	32	-	-
400		42	35	-	-
450		48	40	-	-
500		56	44	34	-
600		-	50	38	-
700		-	58	44	-
800		-	-	50	38
900		-	-	54	43
1,000		-	-	58	48
1,200		-	-	70	55
1,300		-	-	-	59
1,500	-	-	-	70	

Specific capacitance and case sizes are available upon request.